

BEA/S5/60
MAX 5 x 30W E27

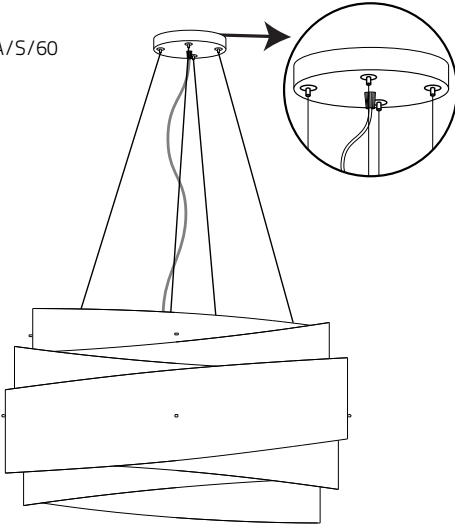
BEA/S3/60
MAX 3 x 30WE27

BEA/S/60
MAX 1 x 30W E27

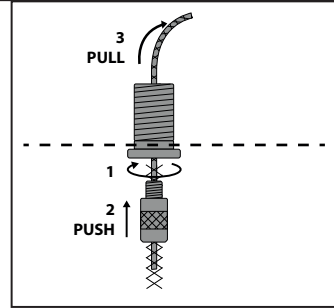
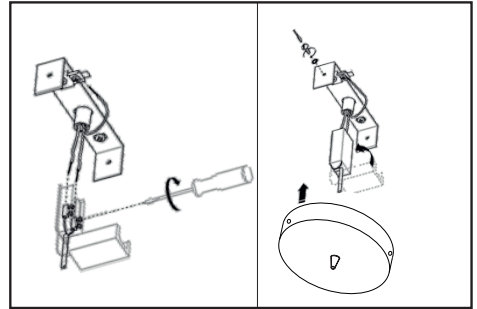
BEA/S/40
MAX 1 x 30W E27

220-240 V

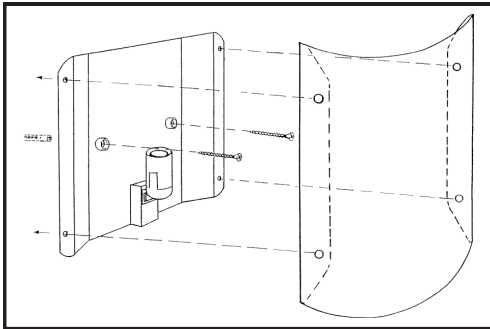
BEA/S/60



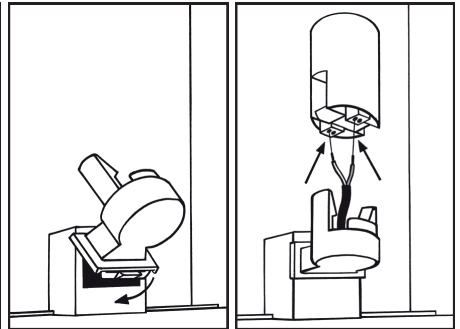
suspension | sospensione



Wall | applique



NO CABLE



Smart Light Design
100% MADE IN ITALY

LINEA ZERO
VIA TORINO 24 - NEGRAR (VR)
LINEAZERO.IT